

BF100

BF100 is a DC battery cabinet that can be installed outdoors. It is air-cooling design and is equipped with a wall-mounted hybrid inverter to achieve AC output. It is suitable for small-sized industrial and commercial scenarios.



Flexible Expansion

Single unit capacity options of 86/100kWh, supports DC expansion, with flexible capacity configuration



Safe & Reliable

Three-level fire detection + active exhaust + passive explosion-proof design to eliminate hidden hazards and ensure safe operation



Ultra-long Lifespan

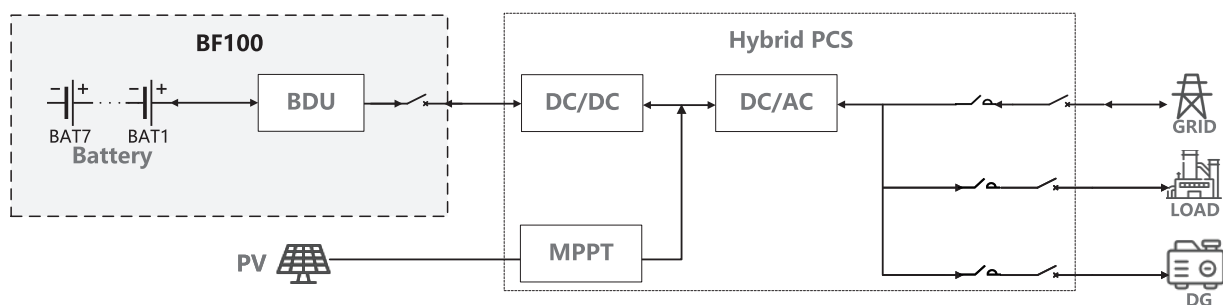
LFP battery, 8000+ cycles, supports up to 10 years of extended warranty for batteries.



Simple O&M

Modular design, side outlet mode, easy to install, and easy to maintain.

Diagram



Specification

| Model | BF100-C80 | BF100-C100 |
|-----------------------|--|----------------|
| Battery | | |
| Battery Type | LiFePO ₄ | |
| Battery Capacity | 280Ah | |
| Rated Current | 140A | |
| Max. Current | 160A | |
| PACK Configuration | 1P16S*6 | 1P16S*7 |
| Voltage Range | 278.4~345.6Vdc | 324.8~403.2Vdc |
| Nominal Capacity | 86kWh | 100kWh |
| System | | |
| Weight | 1100±100kg | 1200±100kg |
| Dimension (W/D/H) | 725/1200/2260mm | |
| Max. Efficiency | 94% | |
| Air Conditioner Power | 2kW(Cooling), 1kW(Heating) | |
| Operating Temperature | -20~50°C (Derating above 45°C) | |
| Operating Humidity | 0~95%RH (Non-condensing) | |
| Ingress Protection | IP55 | |
| Anti-corrosion Grade | C3 (Optional C4) | |
| Cooling Method | Air-cooling | |
| Noise | ≤65dB | |
| Elevation | 3000m (Derating above 2000m) | |
| Display | Touch screen | |
| Fire Protection | Aerosol, Multi-sensor/Water ingress, Explosion-proof ventilation | |
| Communication | Ethernet/4G/RS485 | |
| Certification | CE, LVD, UN38.3 | |
| Depth of Discharge | 95% | |
| Cycle Life* | ≥8000 cycles/10 years | |
| Compatible Inverters | Solis/SOSEN/SOLINTEG/Megarevo | |

*Operating conditions: 0.2C Charging & Discharging, @25°C, 95% DOD